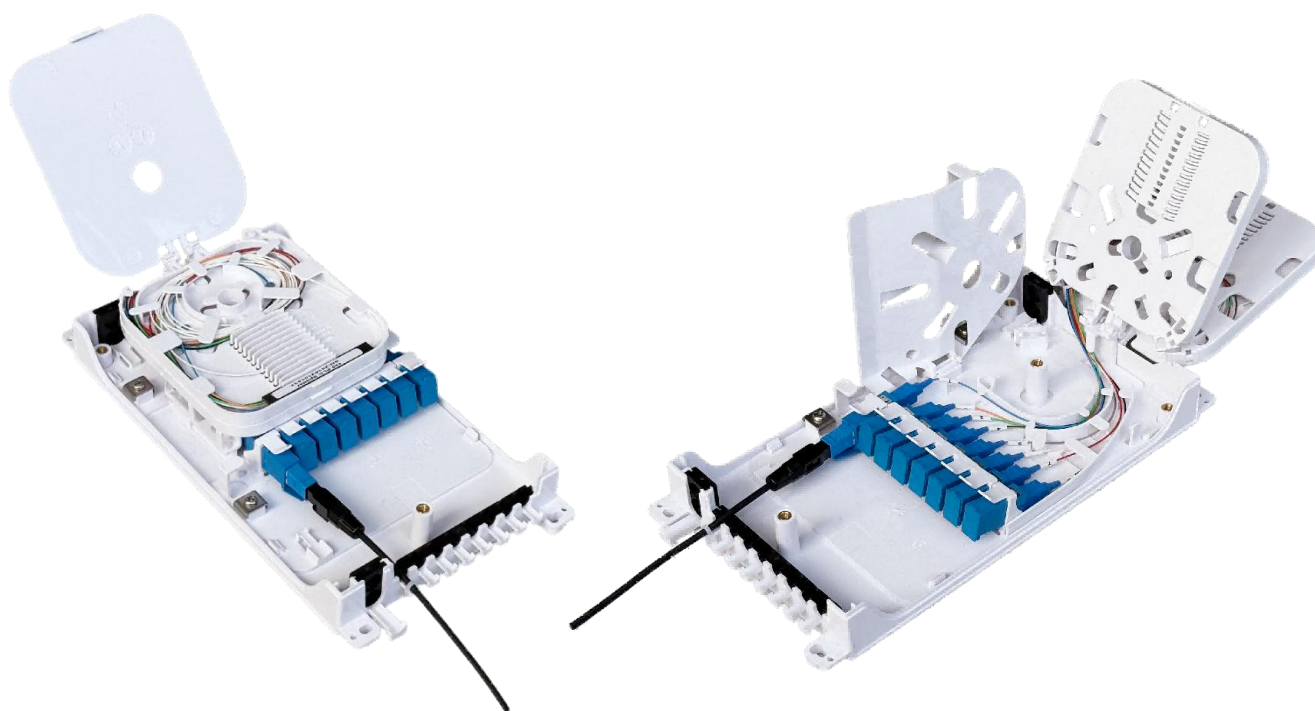


FB-T428L

Optical Distribution Terminal Indoor Box

Application

- The ODU box is designed for the connection of optical fiber to pigtail and providing full splice and perfect fiber management.
- Supports wall-mounted installation for use indoors or in cabinets.



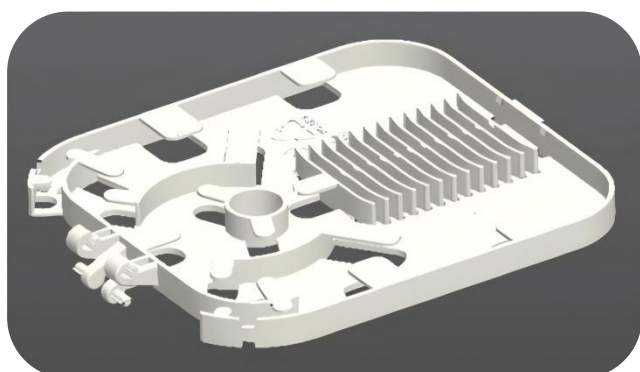
Features & Benefits

- Made of Brand new plastic LSZH.
- Double protection - the first cover protect the customer area and the secondary cover to protect splice area.
- Clear fiber function area division and clear fiber routing.
- Special slot for micro splitter 1:8 in splice tray.
- Splice tray can hold on 120 degree when wall-mounted and full load.
- Adaptor holders can be lifted a little and make the installation easy.
- The storage tray for uncut cable storage.
- Longer distance from the adapter to the drop port , suitable for field connectors.
- Two bolts on the cover to give better protection of the box (no less than IP45).

Specifications

Part No.	FB-T428L
Dimensions	245 × 126 × 49 mm
Housing Material	ABS or PC+ABS
Cable Entry / Exit Ports	2 / 2 In-line Ports × Ø10mm
Drop Cable Ports	8 × Ø5mm Ports
Patching Capacity	8 SC Adapters
Splicing Capacity	24 Fibers
Max Splice Tray	2 Trays
Splice per Tray	12 FO
Splitter per Tray	1×8 Micro PLC Splitter
IP Rating	IP45
Mounting	Wall Mount

Splice Tray

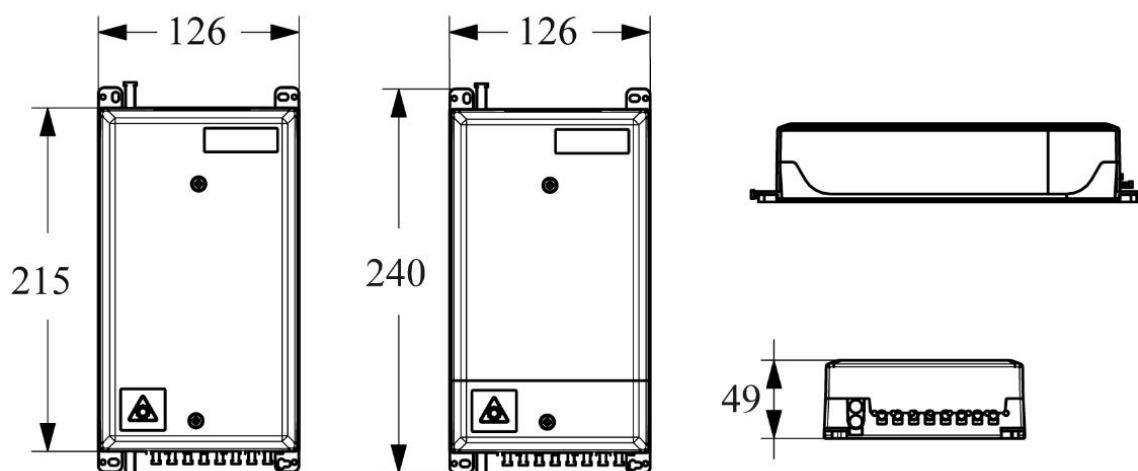


1×8 Micro PLC Splitter

Overview



Dimension Drawing



Accessories

Picture	Name	Size	Quantity
	Wall-mounting Kit	/	4 Pairs
	Nylon Cable Tie	3 × 100 mm	15 PCS
	Splice Sleeve	Ø1.2 × 45 mm	8 PCS
	Adhesive tape	200*15*1mm	2 PCS
	Instruction	A5	1 PC

Optional Accessories

Cabel Dust Cover

